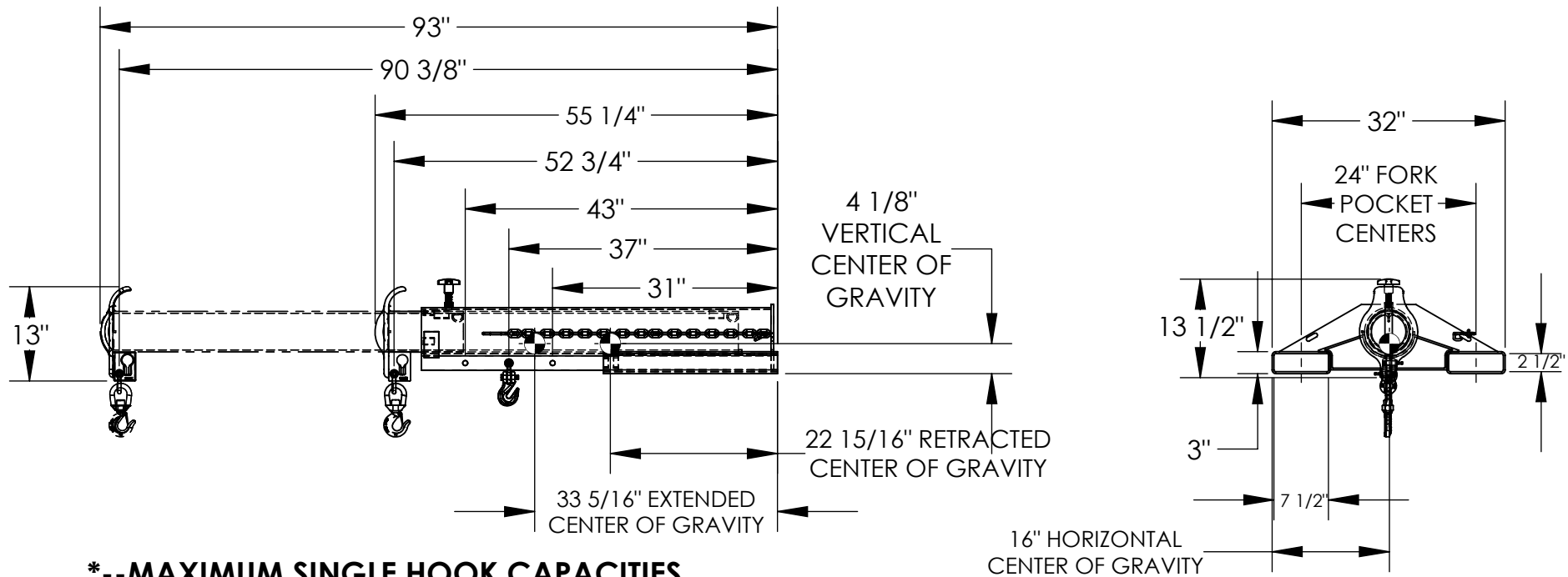


SHORTY LIFT MASTER BOOM, TELESCOPING - LMS-EBT-46-4

APPROX WEIGHT: 267.19 lbs.
 DOES NOT INCLUDE WEIGHT OF POWER OR PACKAGING!!!

*** ANY ADDITIONS, DELETIONS, OR OMISSIONS MUST BE CORRECTED ON THIS DRAWING AS THIS DRAWING WILL BE CONSIDERED ALL INCLUSIVE ***

ALL GRAPHICS PROVIDED ARE FOR REFERENCE ONLY. IF CERTAIN DIMENSIONS ARE CRITICAL PLEASE VERIFY THOSE DIMENSIONS WITH YOUR SALESPERSON



*--MAXIMUM SINGLE HOOK CAPACITIES

DISTANCE	31"	37"	43"	52 3/4"	66"	79 1/4"	90 3/8"
CAPACITY	4000	3880	3760	3560	3290	3020	2750

STANDARD FEATURES

MODEL NUMBER: LMS-EBT-46-4
 CAPACITY: 4,000 LBS
 LOST LOAD - 270 LBS
 OVERALL HEIGHT - 13 1/2"
 LENGTH (RETRACTED) - 55 1/4"
 LENGTH (EXTENDED) - 93"
 OVERALL WIDTH - 32"
 USABLE FORK POCKET - 2 1/2" X 7 1/2"
 24" FORK POCKET CENTERS
 31" MINIMUM HOOK POINT
 90 3/8" MAXIMUM HOOK POINT
 EFFECTIVE THICKNESS: LESS THAN 1"
 TOUGH BAKED IN POWDER COATED
 BLUE BASE FRAME W/ YELLOW EXTENSION

SPECIAL FEATURES

NONE

DIMENSION TOLERANCE ± 1/4"

APPROVAL	I, THE UNDERSIGNED, AGREE THAT THE PRODUCT AS REPRESENTED SATISFIES DESIGN AND DIMENSION REQUIREMENTS. I ALSO ACKNOWLEDGE MY DUTY TO CONFIRM PRODUCT AND INSTALLATION COMPLIANCE WITH ALL APPLICABLE FEDERAL, STATE AND LOCAL REGULATIONS AND STANDARDS.	
	ANY MODIFIED UNITS ARE NON-RETURNABLE	
	[] As drawn [] As marked	
Signed: _____		Date: _____
Printed Name: _____		
LEAD TIME WILL START UPON RECEIPT OF SIGNED APPROVAL DRAWING		

FOR INTERNAL USE ONLY PROJECT SIGN OFF	
SALES	
ENG.	
FAB.	
POWER	

DISTRIBUTOR'S NAME: HOF EQUIPMENT COMPANY PH: 888-990-1150		P.O.# X
DRAWN BY: BCN		W.O.# X
DATE: 8/22/2016		SALES: X
REFERENCE: X	SCALE: 1:22	FILE NAME:
QUOTED LEAD TIME: X	QUOTE # X	08-007-210

NEVER EXCEED LOAD CENTER RATING PER FORK TRUCK MANUFACTURER'S GUIDELINES.
 DO NOT USE THIS FORK TRUCK ATTACHMENT IF LOAD WILL EXCEED FORK TRUCK MANUFACTURER'S LOAD CENTER RATING.